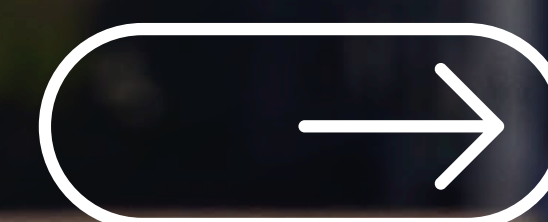




BLACK FRIDAY OR BLACK COLLECTION?



**OPT FOR SUSTAINABILITY
OVER DISCOUNTS!**



ROY & RINGO

EASY-TO-CLEAN SOLE AND OUTER SHELL
FORMS TO THE SHAPE OF YOUR FOOT

COMMONLY WORN IN LOGISTICS,
TRANSPORT, FOOD, CHEMICAL,
AND SERVICE INDUSTRIES





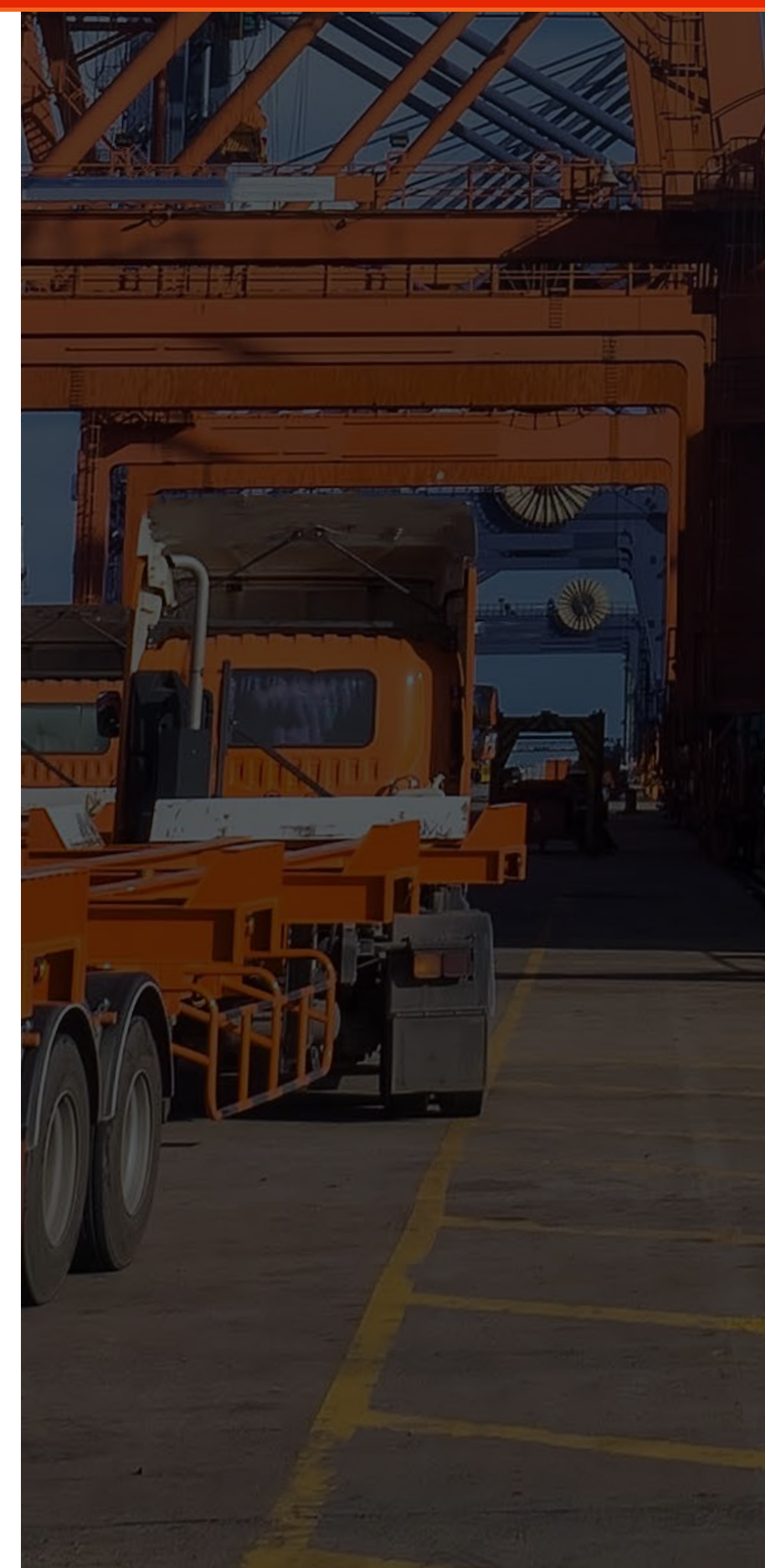
- ✓ Footprint
 - ✓ Reduction
 - ✓ Compensation
- www.cn-cert.com

LEO & LUKAS

ALL-ROUND SHOE FOR CONSTRUCTION,
ENGINEERING, NATURE AND ENVIRONMENT

AVAILABLE IN TWO WIDTHS

**WITH STEEL TOE CAP, ADDITIONAL
PU TOE CAP AND EASY-TWIST SOLE**



CLAY & CLYDE

METAL-FREE WITH A SPORTY APPEARANCE

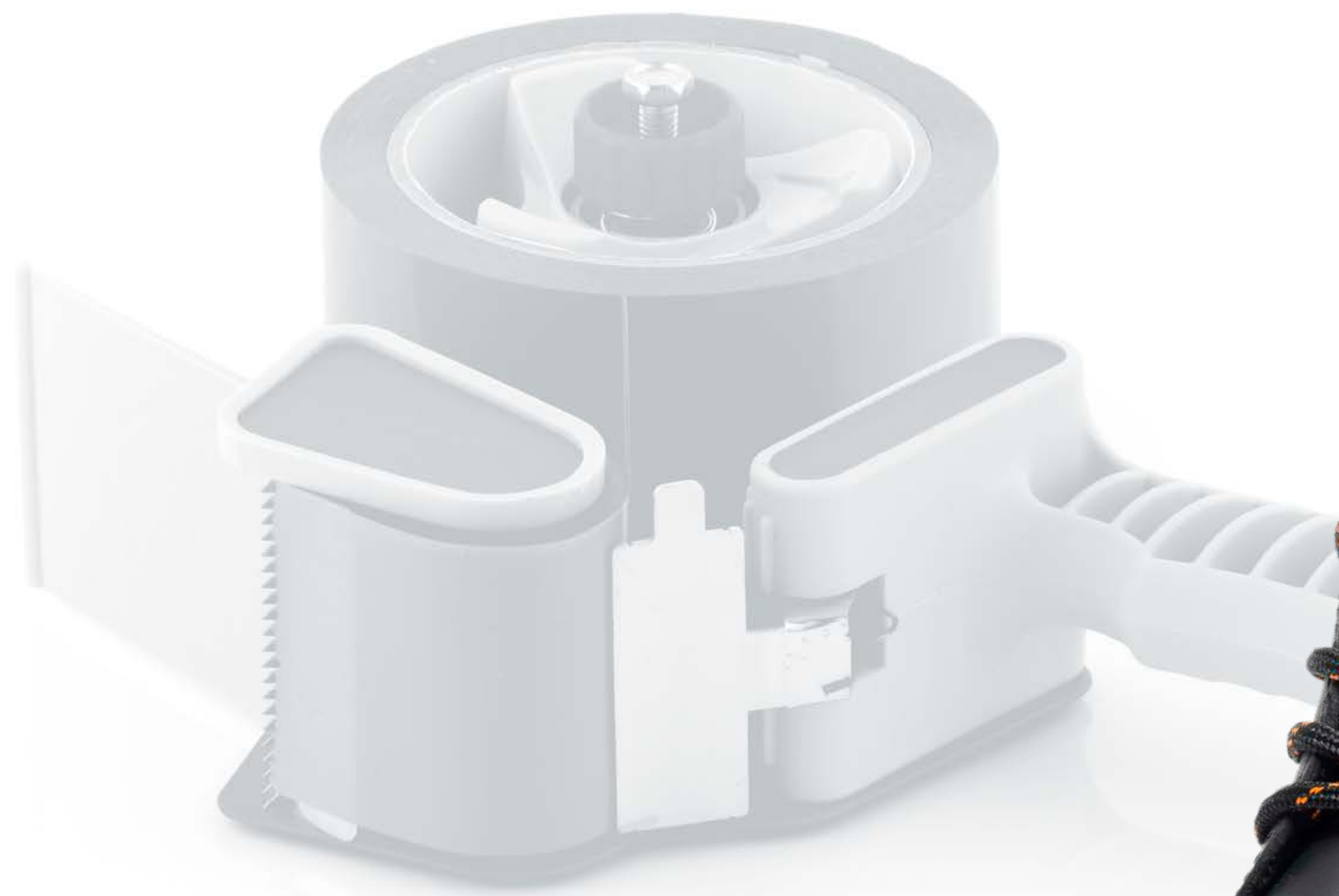
**STRONG SHOCK-ABSORBING
SOLES AND EXTRA-SUPPORTIVE
HEEL CONSTRUCTION**

DENIMX LACES MADE
OF RECYCLED JEANS



- ✓ Footprint
- ✓ Reduction
- ✓ Compensation

www.cn-cert.com



BAS & BILLY

VERSATILE SAFETY SHOE
FOR INDOOR AND OUTDOOR USE
OUTSOLE RESISTANT TO OIL AND ACID
**AVAILABLE IN SIZES 37 TO 49
AND IN VARIOUS WIDTHS**



EMMA SAFETY FOOTWEAR